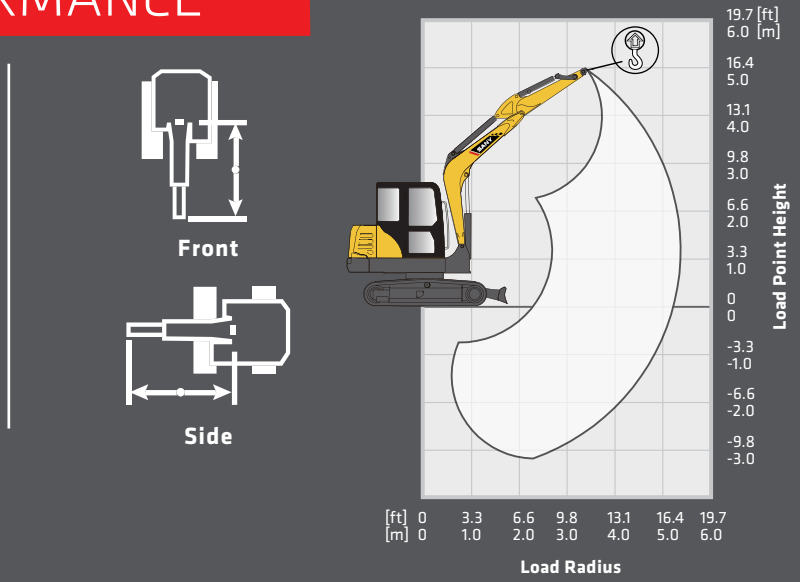


# SY60C LIFTING PERFORMANCE

Standard 9' 10" (3 000 mm) Boom  
 Standard 5' 7" (1 700 mm) Arm  
 Standard 16" (400 mm) Track Shoes  
 No Bucket

Ratings are based on ISO 10567:2007. Lift capacity does not exceed 75% of tipping load with the machine on firm, level ground or 87% of hydraulic lifting capacity.



## BLADE DOWN

LOAD RADIUS	6.6 ft 2.0 m		9.8 ft 3.0 m		13.1 ft 4.0 m		16.4 ft 5.0 m		MAX REACH	
LOAD POINT HEIGHT										
13.1 ft 4.0 m					2,205 lb 1 000 kg*	2,205 lb 1 000 kg			2,425 lb* 1 100 kg*	1,874 lb 850 kg
9.8 ft 3.0 m					2,535 lb* 1 150 kg*	2,205 lb 1 000 kg	2,425 lb* 1 100 kg*	1,433 lb 650 kg	2,535 lb* 1 150 kg*	1,433 lb 650 kg
6.6 ft 2.0 m			3,968 lb* 1 800 kg*	3,086 lb 1 400 kg	2,976 lb* 1 350 kg*	2,094 lb 950 kg	2,646 lb* 1 200 kg*	1,433 lb 650 kg	2,646 lb* 1 200 kg*	1,323 lb 600 kg
3.3 ft 1.0 m			5,401 lb* 2 450 kg*	2,756 lb 1 250 kg	3,638 lb* 1 650 kg*	1,874 lb 850 kg	2,976 lb* 1 350 kg*	1,433 lb 650 kg	2,756 lb* 1 250 kg*	1,213 lb 550 kg
0 ft 0 m			6,173 lb* 2 800 kg*	2,646 lb 1 200 kg	4,079 lb* 1 850 kg*	1,764 lb 800 kg	3,086 lb* 1 400 kg*	1,323 lb 600 kg	2,976 lb* 1 350 kg*	1,323 lb 600 kg
-3.3 ft -1.0 m	8,378 lb* 3 800 kg*	5,291 lb 2 400 kg	6,063 lb* 2 750 kg*	2,646 lb 1 200 kg	4,079 lb* 1 850 kg*	1,764 lb 800 kg			3,197 lb* 1 450 kg*	1,433 lb 650 kg
-6.6 ft -2.0 m	8,818 lb* 4 000 kg*	5,181 lb 2 350 kg	5,401 lb* 2 450 kg*	2,646 lb 1 200 kg	3,417 lb* 1 550 kg*	1,874 lb 850 kg			3,417 lb* 1 550 kg*	1,874 lb 850 kg

## BLADE UP

LOAD RADIUS	6.6 ft 2.0 m		9.8 ft 3.0 m		13.1 ft 4.0 m		16.4 ft 5.0 m		MAX REACH	
LOAD POINT HEIGHT										
13.1 ft 4.0 m					2,205 lb* 1 000 kg*	2,205 lb 1 000 kg			2,205 lb* 1 000 kg*	1,874 lb 850 kg
9.8 ft 3.0 m					2,205 lb* 1 000 kg*	2,205 lb 1 000 kg	1,984 lb* 900 kg*	1,433 lb 650 kg	1,984 lb* 900 kg*	1,433 lb 650 kg
6.6 ft 2.0 m			3,968 lb* 1 800 kg*	3,086 lb 1 400 kg	2,866 lb* 1 300 kg*	2,094 lb 950 kg	1,984 lb* 900 kg*	1,433 lb 650 kg	1,764 lb* 800 kg*	1,323 lb 600 kg
3.3 ft 1.0 m			3,968 lb* 1 800 kg*	2,756 lb 1 250 kg	2,646 lb* 1 200 kg*	1,874 lb 850 kg	1,948 lb* 900 kg*	1,433 lb 650 kg	1,764 lb* 800 kg*	1,213 lb 550 kg
0 ft 0 m			3,858 lb* 1 750 kg*	2,646 lb 1 200 kg	2,535 lb* 1 150 kg*	1,764 lb 800 kg	1,874 lb* 850 kg*	1,323 lb 600 kg	1,764 lb* 800 kg*	1,323 lb 600 kg
-3.3 ft -1.0 m	7,937 lb* 3 600 kg*	5,291 lb 2 400 kg	3,858 lb* 1 750 kg*	2,646 lb 1 200 kg	2,535 lb* 1 150 kg*	1,764 lb 800 kg			1,984 lb* 900 kg*	1,433 lb 650 kg
-6.6 ft -2.0 m	8,157 lb* 3 700 kg*	5,181 lb 2 350 kg	3,968 lb* 1 800 kg*	2,646 lb 1 200 kg	2,646 lb* 1 200 kg*	1,874 lb 850 kg			2,646 lb* 1 200 kg*	1,874 lb 850 kg

\* Indicates load limited by hydraulic lifting capacity. In the interest of continual equipment development, SANY America Inc. reserves the right to change these specifications at any time without prior notification.

# SY60C

## PRODUCT SPECIFICATIONS



## STANDARD FEATURES

- Conventional Tail Swing
- Boom Swing Functionality Allows for Offset Digging in Confined Areas
- Load-Sensing Hydraulic System Provides Increased Efficiency and Control
- Powerful Yanmar Engine

Gross Power  
**56.9 hp**

---

Dig Depth  
**13'**

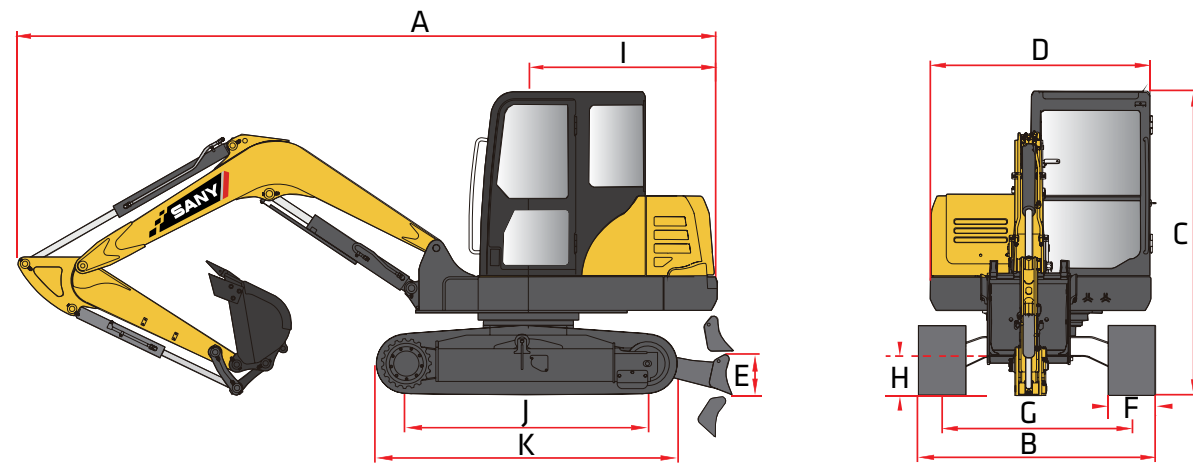
---

Operating Weight  
**13,448 lb**

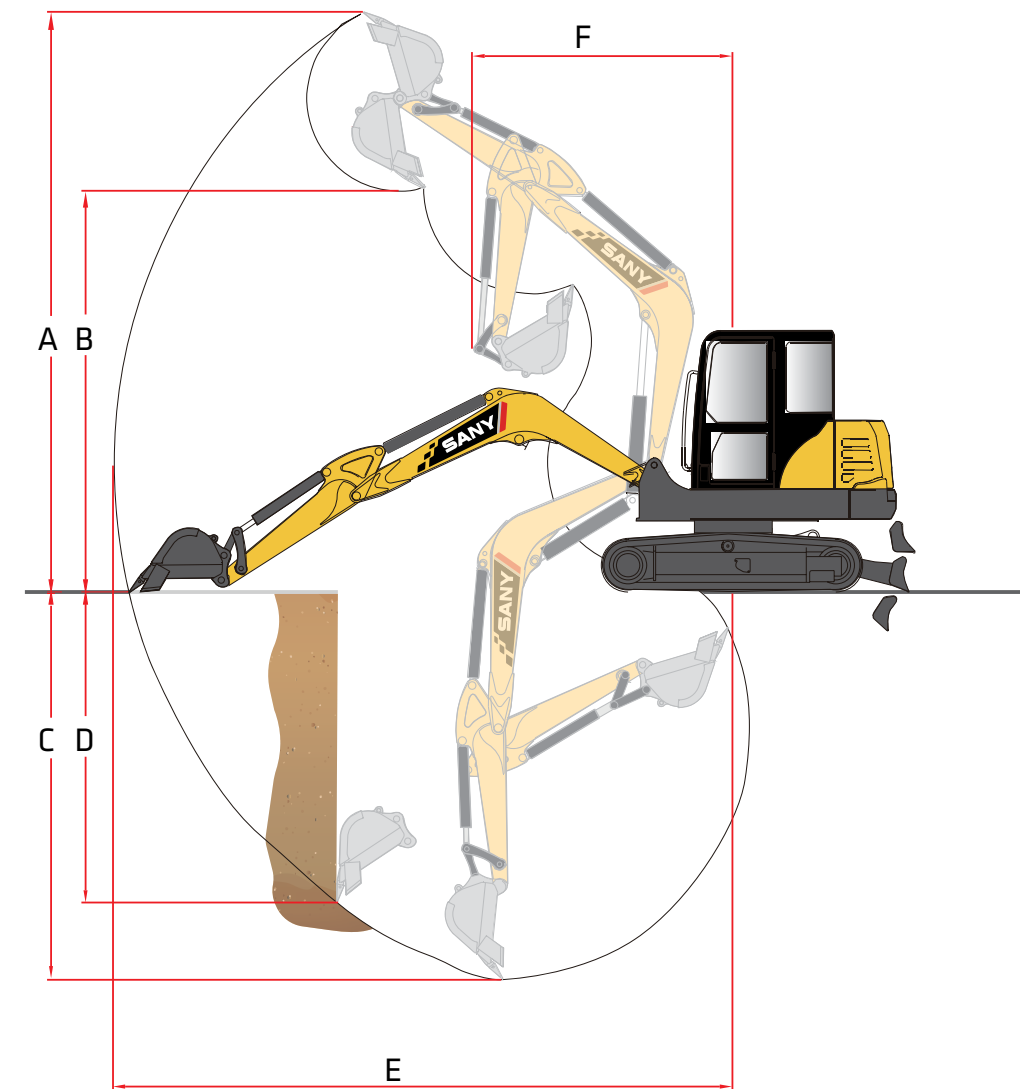
---

Bucket Breakout  
**10,116 lbf**

DIMENSIONS



WORKING RANGE



Extra digging force and stability in confined areas

TECHNICAL SPECIFICATIONS

Operating Weight	13,448 lb	6 100 kg
Ground Pressure	5.0 psi	34.6 kPa
<b>Engine</b>	Yanmar 4TNV98C-WSY	
Displacement	202.5 in <sup>3</sup>	3.3 L
Gross Power	56.9 HP	42.4 kW
<b>Hydraulics</b>	Load Sensing with Pilot Control	
Main Hydraulic Pump	Axial Piston – Variable Displacement	
Operating Flow (maximum)	37.7 gal/min	142.7 L/min
Operating Pressure (maximum)	3,553 psi	24.5 MPa
Auxiliary Flow (maximum)*	24 gal/min	90 L/min
Auxiliary Pressure (maximum)	3,626 psi	25 MPa
<b>Travel Motor</b>	Axial Piston with Park Brake	
Travel Pressure (maximum)	3,553 psi	24.5 MPa
Travel Speeds (maximum)	1.5 / 2.3 mph	2.4 / 3.7 km/hr
Travel Effort (maximum)	10,611 lbf	47.2 kN
Grade Capability (maximum)	35°	
<b>Swing Motor</b>	Axial Piston with Swing Brake	
Swing Pressure (maximum)	2,770 psi	19.1 MPa
Swing Speed (maximum)	9.6 RPM	
<b>Undercarriage (standard)</b>	Belted Rubber Track	
Track Shoe width (standard)	16"	400 mm
Track Rollers (per side)	5	
Carrier Rollers (per side)	1	

DIMENSIONS

Boom Length	9' 10"	3 000 mm
Stick (Arm) Length	5' 7"	1 700 mm
A Transport Length	19' 9"	6 015 mm
B Transport Width	6' 7"	2 005 mm
C Transport Height	8' 8"	2 645 mm
D Upper Structure Width	6' 1"	1 860 mm
E Blade Height	13"	340 mm
F Track Width (standard shoe)	16"	400 mm
G Track Gauge	5' 3"	1 600 mm
H Ground Clearance (minimum)	13"	330 mm
I Tail Swing Radius	5' 5"	1 640 mm
J Track Length on Ground	6' 9"	2 045 mm
K Track Length	8' 4"	2 545 mm

SERVICE REFILL CAPACITIES

Fuel Tank Capacity	34.3 gal	130.0 L
Hydraulic Tank Capacity	22.5 gal	85.0 L
Engine Oil Capacity	2.5 gal	9.6 L
Cooling System Capacity	1.5 gal	5.6 L

WORKING RANGE

Boom Length	9' 10"	3 000 mm
Stick (Arm) Length	5' 7"	1 700 mm
A Maximum Digging Height	19' 0"	5 790 mm
B Maximum Dumping Height	13' 4"	4 060 mm
C Maximum Digging Depth	13' 0"	3 950 mm
D Maximum Vertical Wall Digging Depth	10' 5"	3 180 mm
E Maximum Reach at Ground Level	20' 9"	6 320 mm
F Minimum Swing Radius	8' 5"	2 555 mm

DIGGING PERFORMANCE

Boom Length	9' 10"	3 000 mm
Stick (Arm) Length	5' 7"	1 700 mm
Bucket Breakout Force (ISO)	10,116 lbf	45.0 kN
Stick (Arm) Digging Force (ISO)	7,419 lbf	33.0 kN

\*Based on theoretical calculation at max flow with no load. Subject to alterations.  
 In the interest of continual equipment development, SANY America, Inc. reserves the right to change these specifications at any time without prior notification.  
 ©2022 SANY America Inc. HEXPS22SY60C001

In the interest of continual equipment development, SANY America, Inc. reserves the right to change these specifications at any time without prior notification.  
 ©2022 SANY America Inc. HEXPS22SY60C001